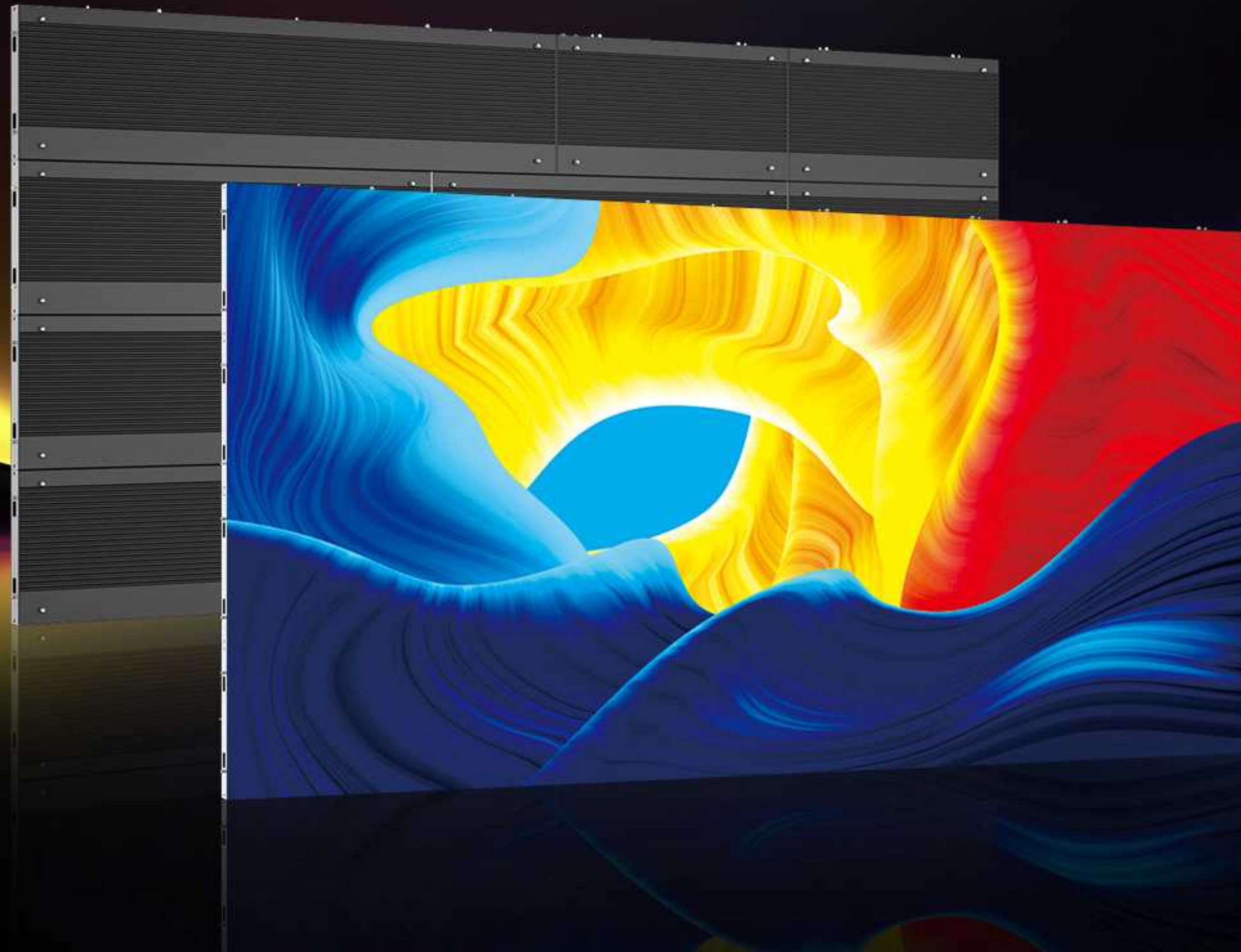
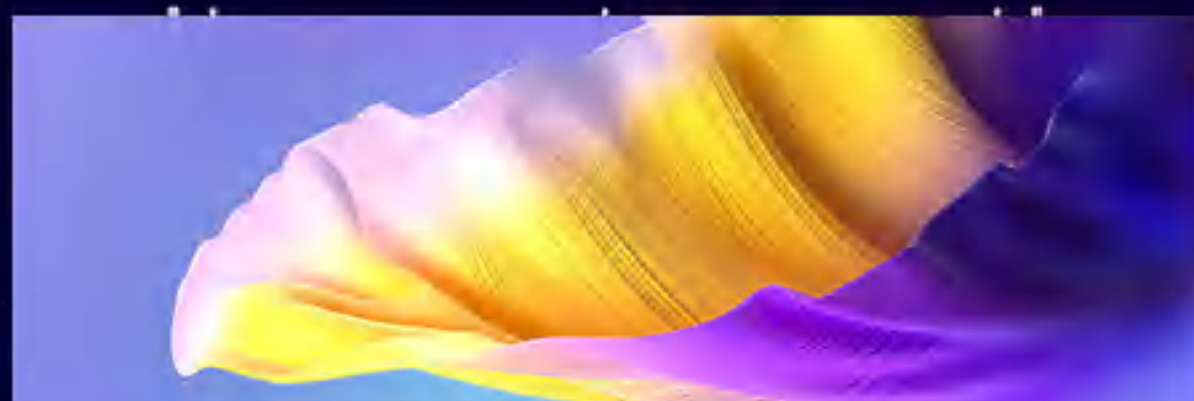


FU SERIES

ULTRATHIN INDOOR LED SCREEN





FU SERIES

Pixel Pitch:P1.56 P1.95 P2.5 P2.6 P2.9 P3.91

Cabinet size:1000*250*34/750*250*34/500*250*34mm

Module size:250*250mm

Cabinet Weight:6.4kg/5kg/3.5kg

Brightness:800-1200cd/m²

Refresh rate:3840-7680Hz



Right Angle Installation
(Optional)



Energy Conservation



Light and Thin



Front Maintenance

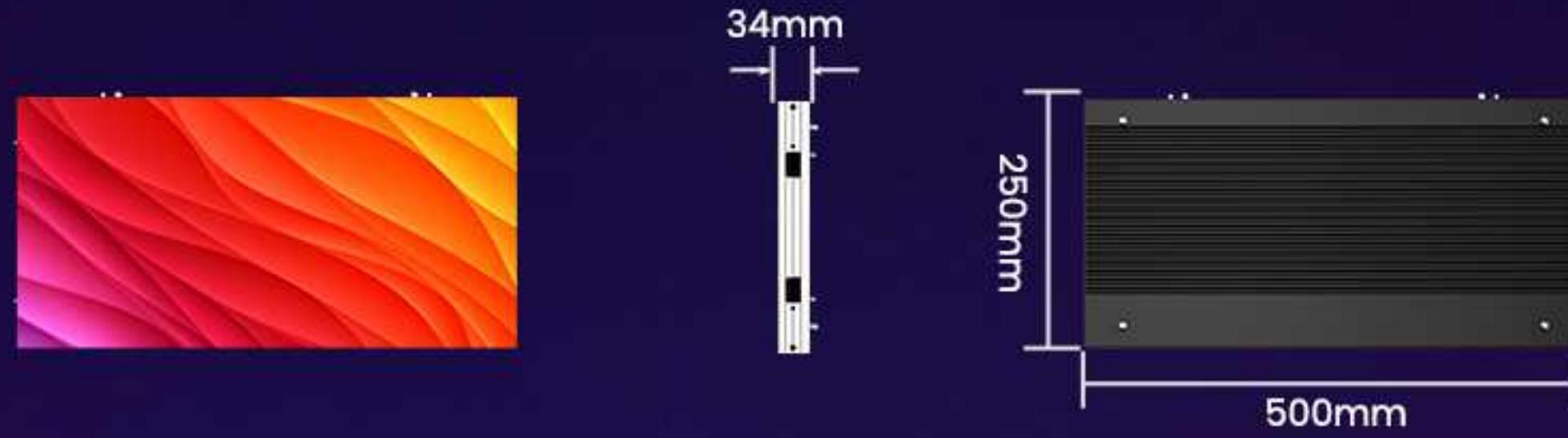


High Color Accuracy

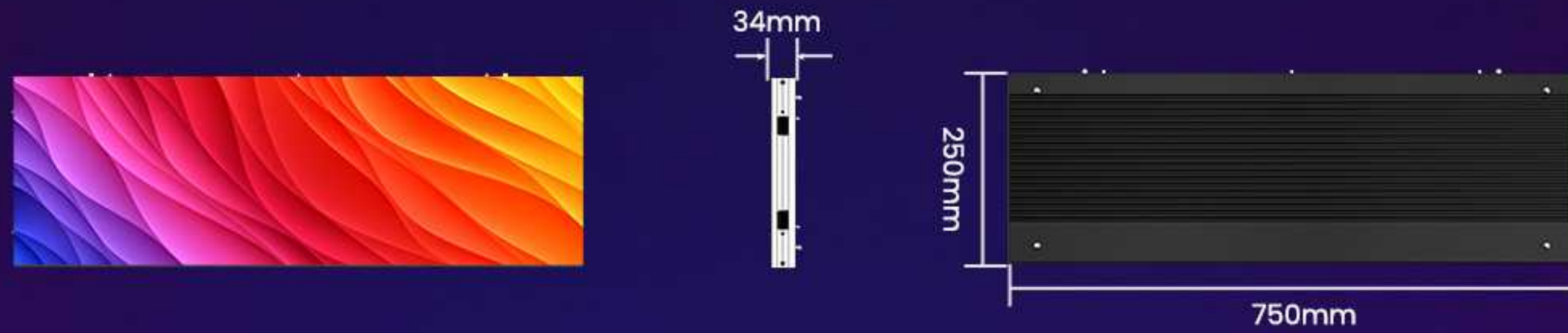


Excellent Heat Dissipation

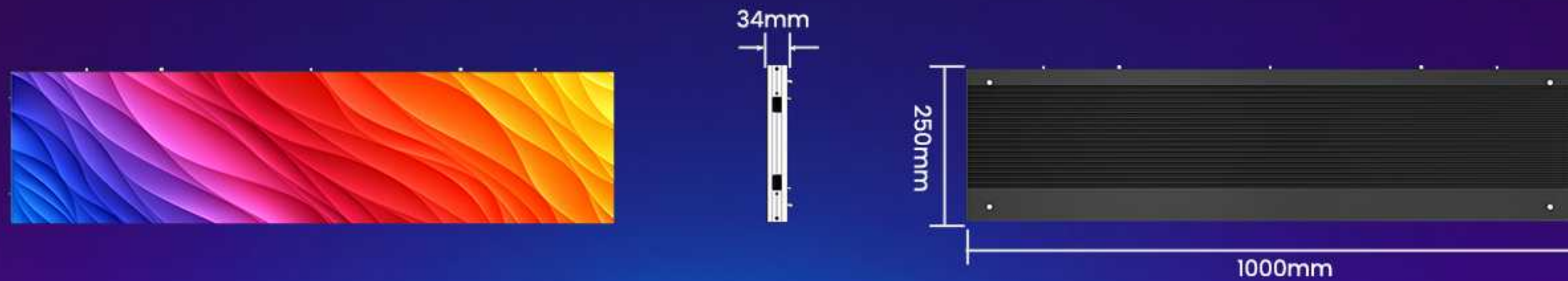
CABINET OPTIONAL



500x250x34mm



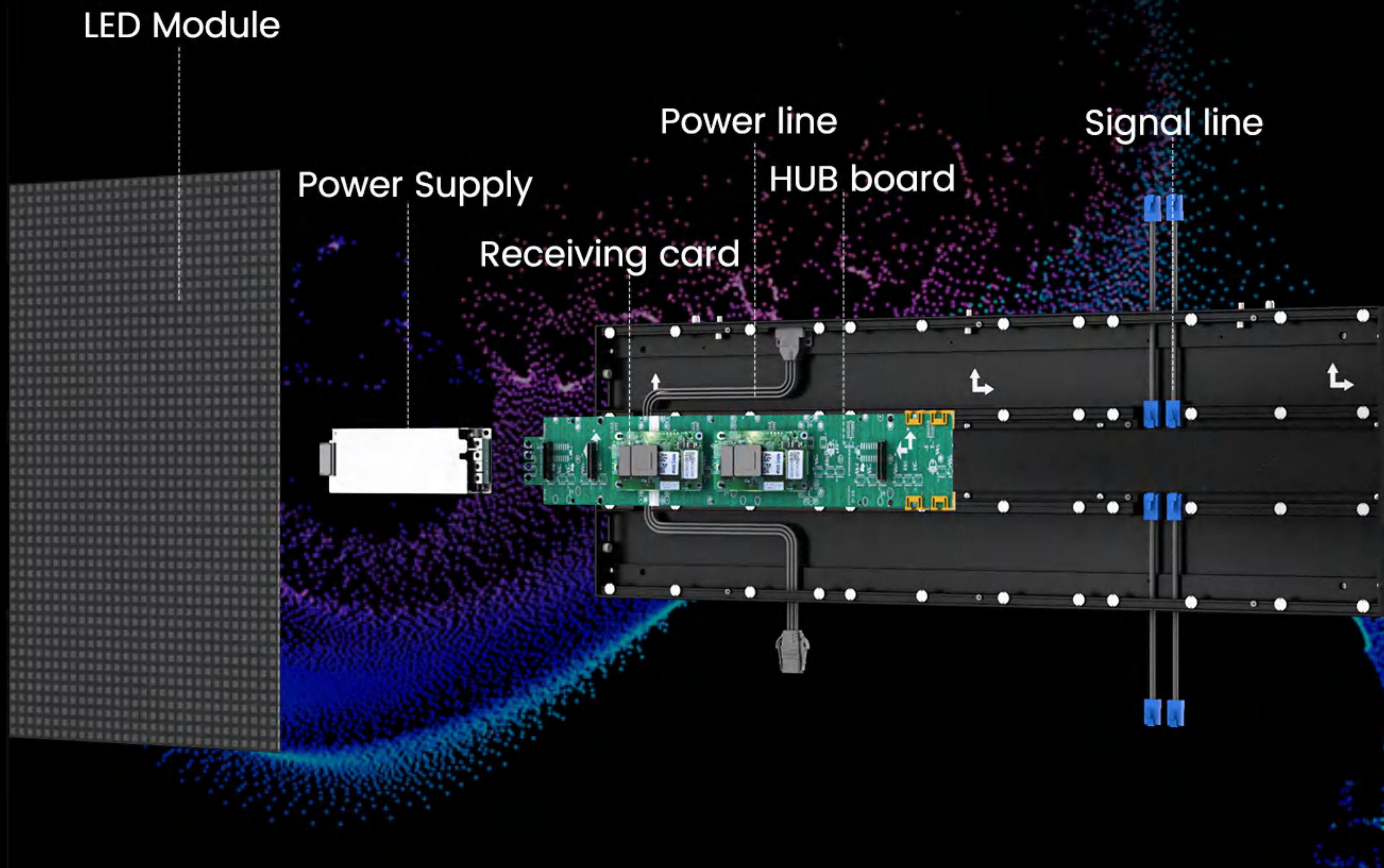
750x250x34mm



1000x250x34mm

HUB BOARD CONNECTION

LED module data and power input plug-and-play design.
No need for extra DC power lines or cables. Easy to install.



FRONT MAINTENANCE

Complete front maintenance, hot-swappable and plug-in with power



ENERGY SAVING

The excellent power board solution with dual voltage design enhances system stability, improves energy utilization efficiency, and saves energy and reduces consumption.



Maximum power:560W/m²

Average power:280W/m²

ALUMINUM PROFILE

The appearance is stylish and simple, the all aluminum cabinet is corrosion resistant, lightweight, durable, and seamlessly spliced



STRONG COLOR EXPRESSIVE FORCE



7680Hz
High refresh rate



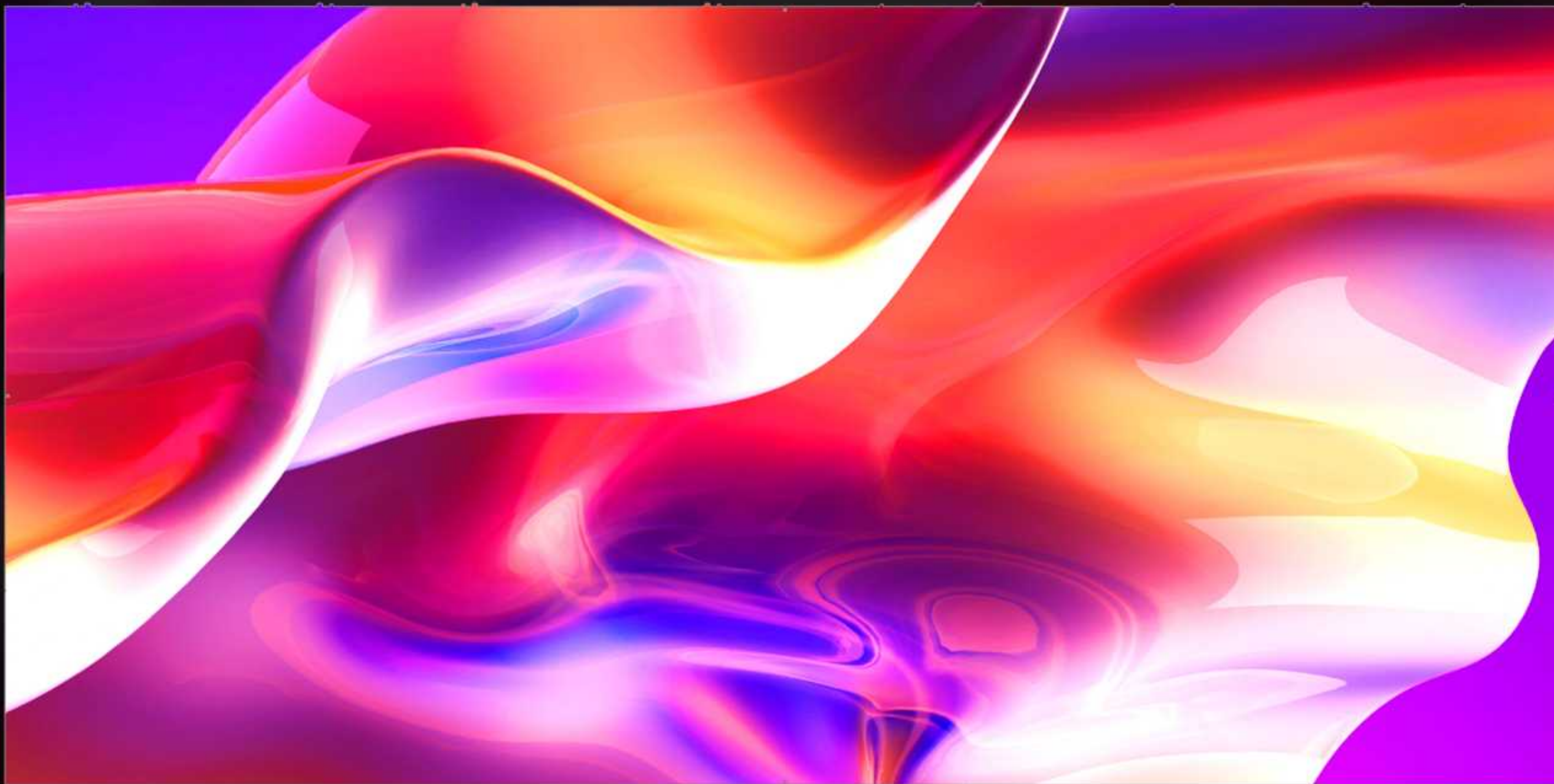
10000:1
High contrast



16bit
High grayscale



1200nits
Brightness



LIGHT & THIN

1000*250mm only 6.4KG, saving manpower and reducing transportation costs

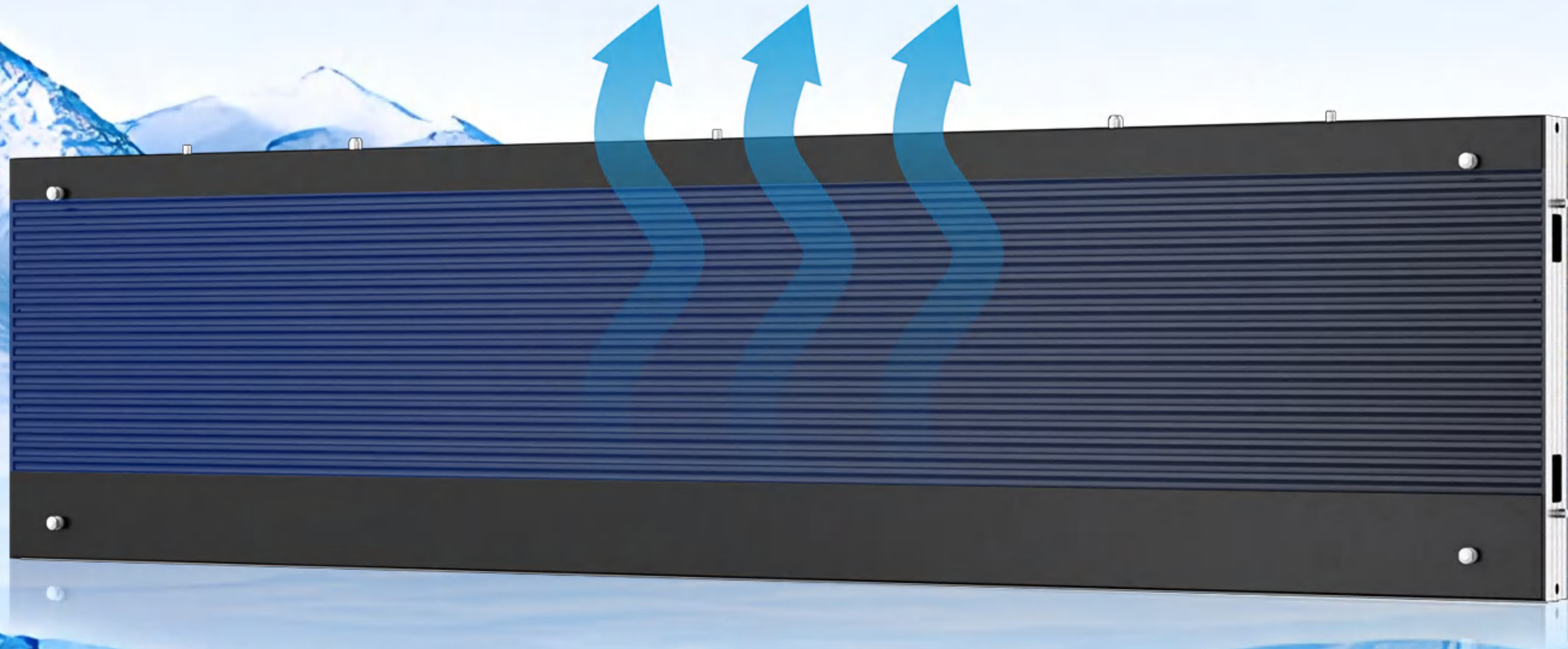
6.4

KG

(1000mm:6.4kg/750mm:5kg/500mm:3.5kg)

EXCELLENT HEAT DISSIPATION

The striped design on the back of the aluminum cabinet has good heat dissipation performance and strong stability



MULTIPLE SIZES OPTIONS

Compatible with cabinets of different sizes for splicing, achieving the desired full screen effect



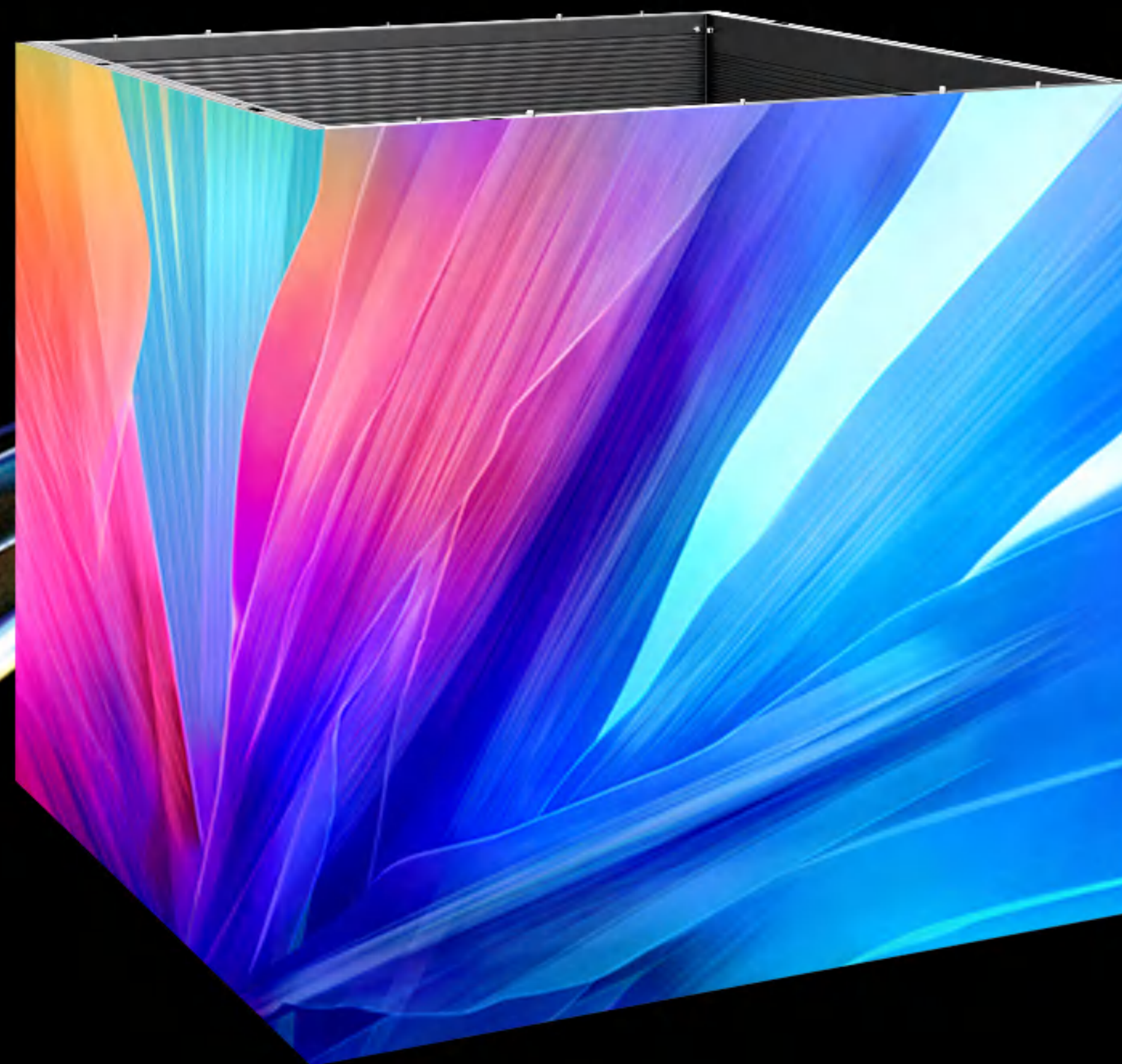
500x250mm	500x250mm	750x250mm
500x250mm	750x250mm	750x250mm
1000x250mm	1000x250mm	
1000x250mm	1000x250mm	

SUPPORT 90° RIGHT ANGLE COMBINATION

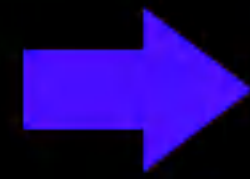
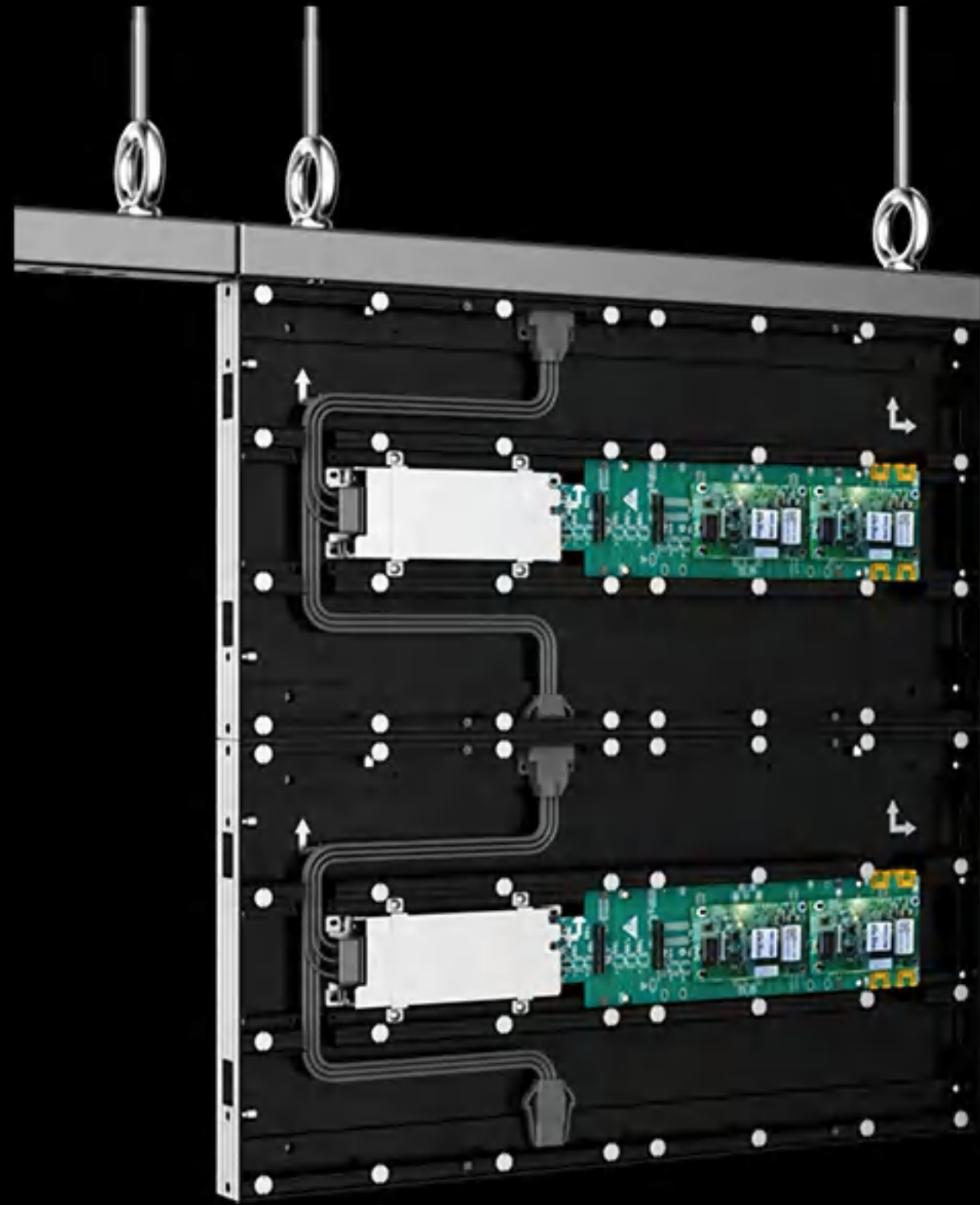
The two cabinets are directly assembled at a 90° angle, which is easy to achieve seamless splicing and high flatness.



45°
Beveled Cabinet



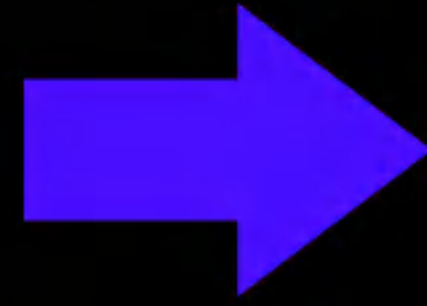
HANGING INSTALLATION



WALL MOUNTED INSTALLATION



RIGHT ANGLE INSTALLATION



SPECIFICATIONS

Pixel Pitch	1.56mm	1.95mm	2.5mm	2.6mm	2.9mm	3.91mm
Optional Processes	SMD,GOB	SMD,GOB	SMD+mask	SMD+mask	SMD+mask	SMD+mask
Lamp Types	SMD1212	SMD1515	SMD1515	SMD1515	SMD1515	SMD2121
IC DRIVE	CFD455/CFD555					
Scan	1/40S	1/32S	1/25S	1/32S	1/28S	1/16S
Module Size(mm)	250mmx250mm					
Module Resolution(Pixels/pcs)	160*160	128*128	100*100	96*96	84*84	64*64
Module Weight(kg)	0.35kg					
Cabinet Size(mm)	1000*250*34/750*250*34/500*250*34					
Cabinet Resolution(Pixels/pcs)	640*320/480*320 320*320	512*256/384*256 256*256	400*100/300*100 200*100	384*96/288*96 192*96	336*84/*252*84 168*84	256*64/192*64 128*64
Cabinet Weight(kg)	6.4kg/5kg/3.5kg					
Pixel Density(Pixels/m ²)	409600	262144	160000	147456	112896	65536
Material	Aluminum Profile					
Brightness(cd/m ²)	800-1000	800-1000	800-1000	800-1000	800-1000	1200-1000
Grey Grade	14bit/16bit					
Contrast Ratio	≥ 5000:1					
Brightness Uniformity	≥ 97%					
Refresh Rate	7680Hz					
Viewing Angle	160°W/160°H					
Input Voltage	110-220V					
Power Consumption(Max.W/m ²)	560W					
Power Consumption(Ave.W/m ²)	280W					
IP Rating(Front/Rear)	IP31					
Operating Temperature	-20°C ~ +45°C					
Operating Humidity	10% ~90%RH					
Storage Temperature	-10°C ~ +40°C					
Storage Humidity	10% ~60%RH					
Lifespan (Hrs)	≥100,000					

PACKAGING

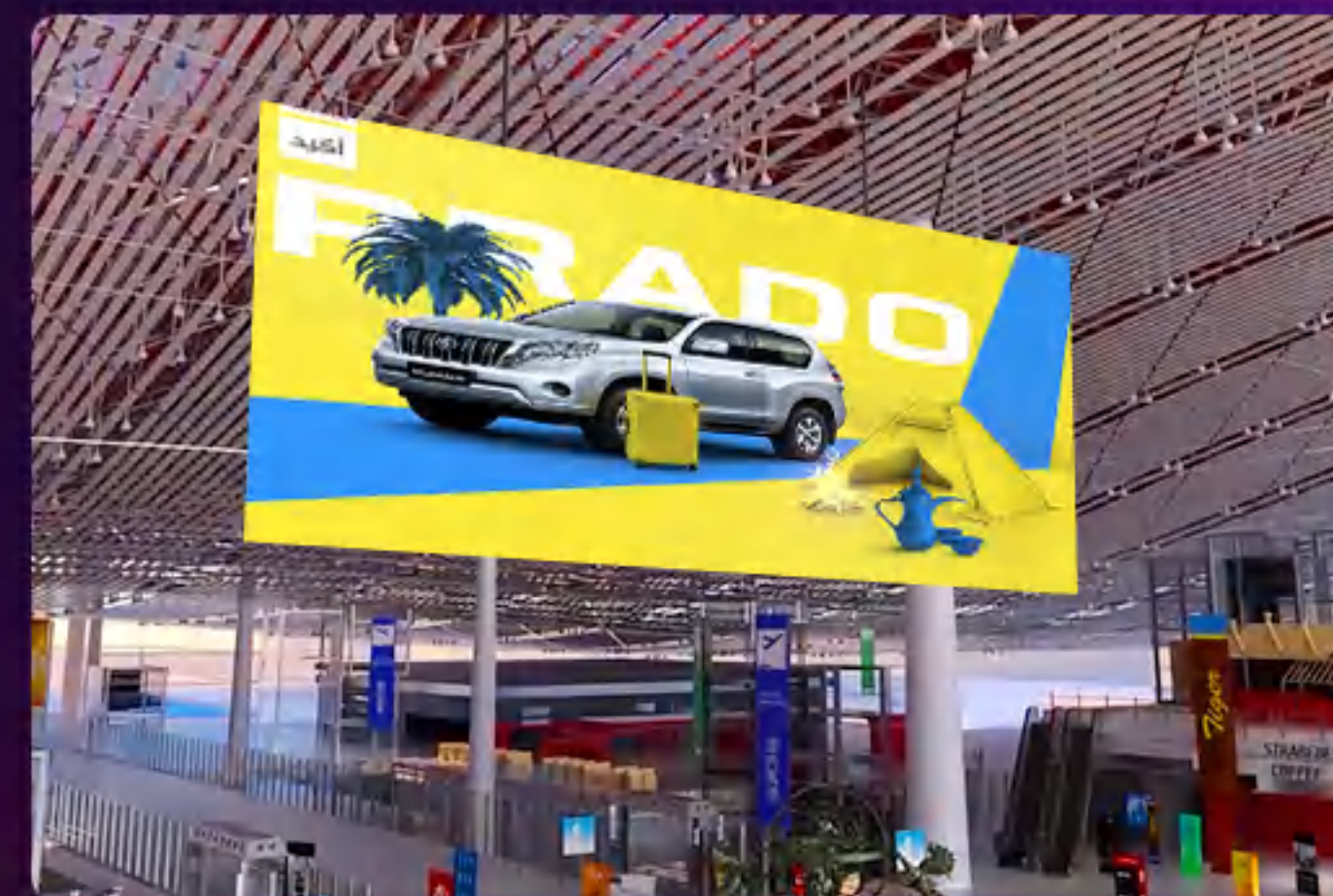


WOODEN CASE



FLIGHT CASE

PACKAGING



5 YEARS WARRANTY

Common warranty in LED field is 2 years, ours is 5
Longer warranty periods, better after-sale services
worry-free user experience



OEM&ODM

1000+
Projects

5 days
Fast delivery



Door to door

3D

Installation video



Sample support



CONTACT US

SHENZHEN DDW TECHNOLOGY CO.,LTD



0086-755-23229716



0086-134-17558100



www.ddw.net



info@ddw.net



2F Building 8, YiLisheng Industry Park, Fuyong
Baoan District, Shenzhen, 518103